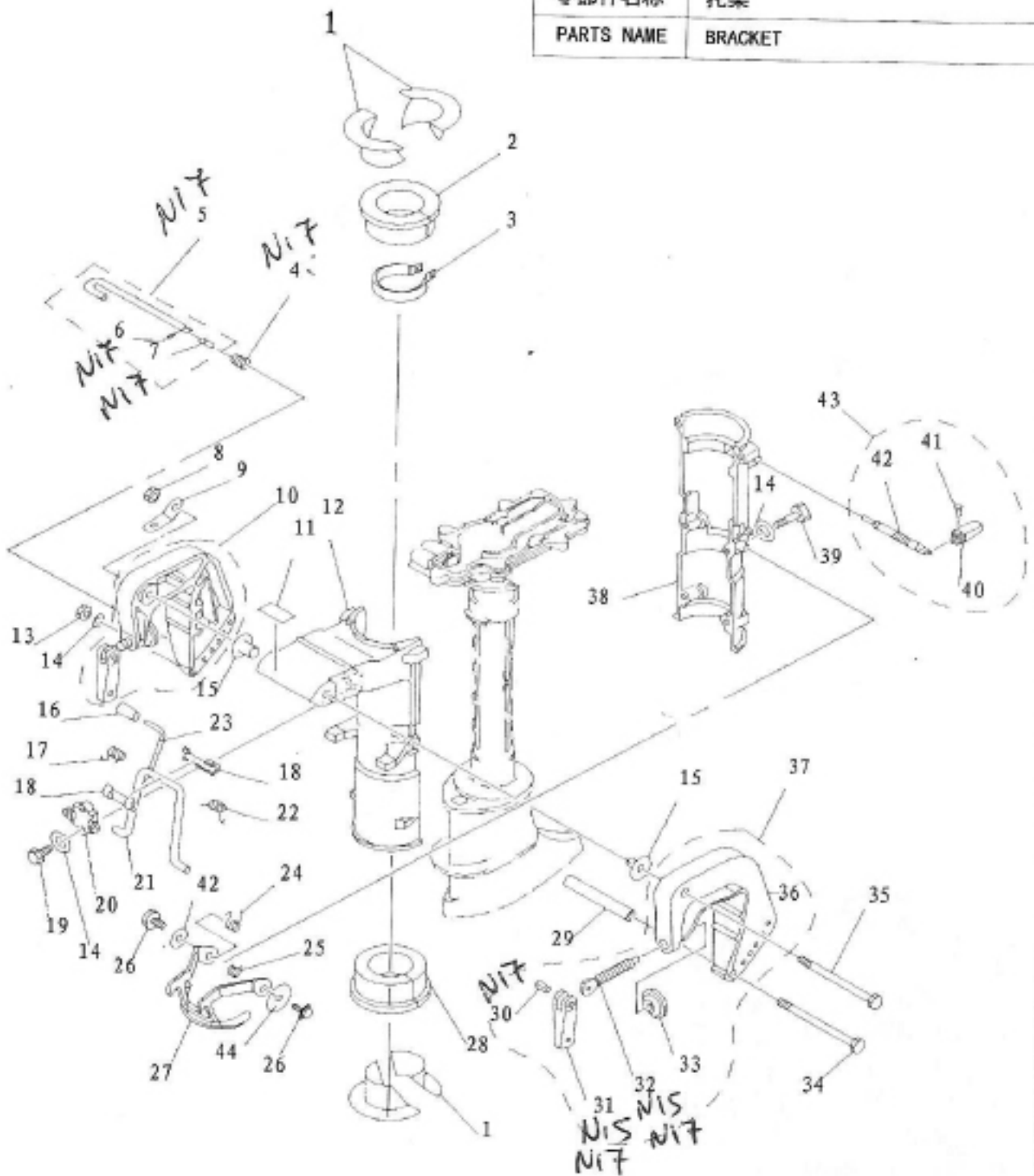


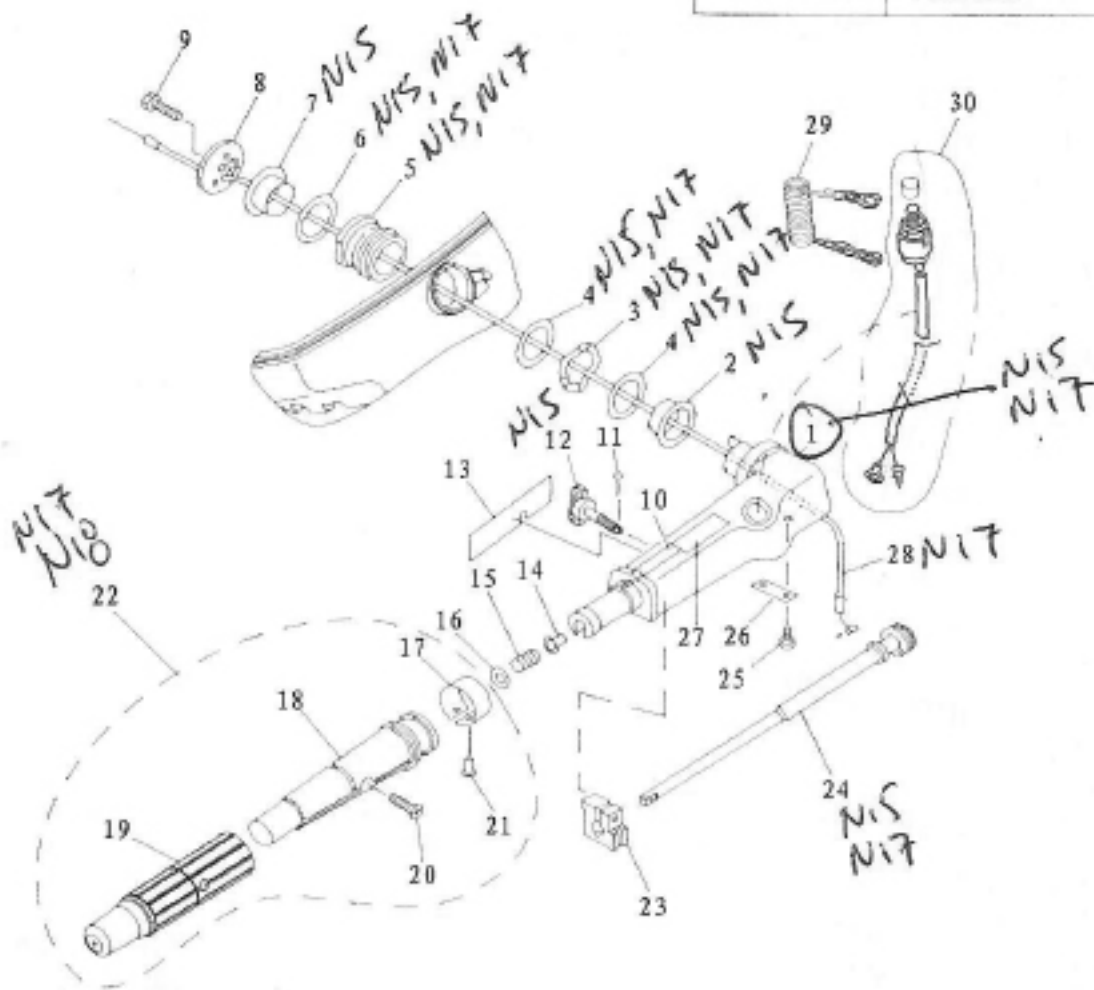
零部件名称	托架
PARTS NAME	BRACKET



SN. 参照号码	PART NO. 零件编号	DESCRIPTION 零件名称(中文)	DESCRIPTION 零件名称(英文)	QTY 数量		REMARKS 备注
1	F4-02000008	减震圈衬管	BUSH, SHOCK ABSORPTION	4		
2	F4-02000007	上减震圈	TOP, SHOCK ABSORPTION	1		
3	F4-02020000	水上装置锁紧圈组件	UPPER LOCKING RING ASSY	1		
4	F4-01050002	锥形弹簧	SPRING, CONICAL	1	NIT	
5	F4-01050000	角度调整杆组件	TILT ROD ASSY	1	NIT	

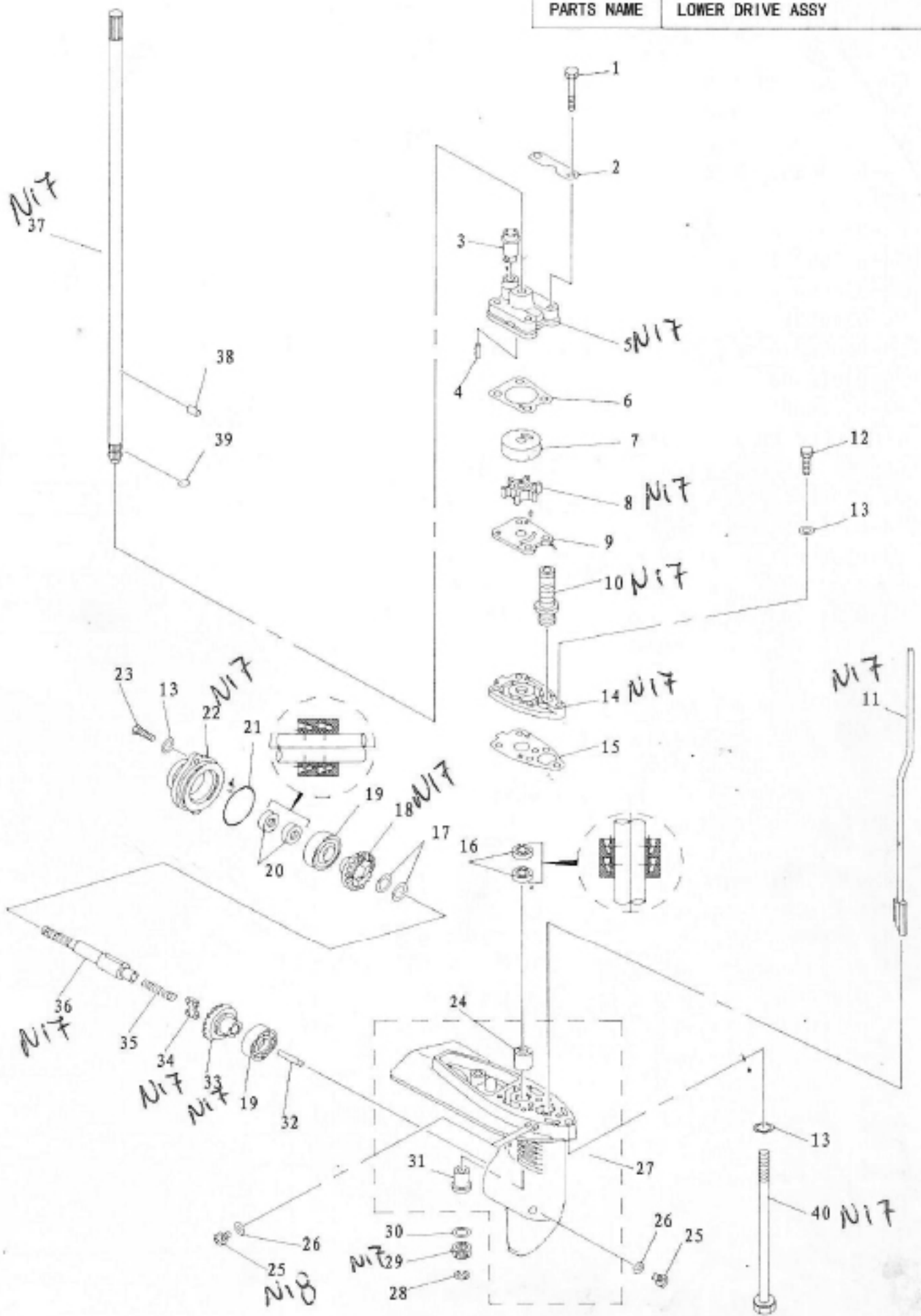
零部件名称 操舵系统

PARTS NAME STEERING

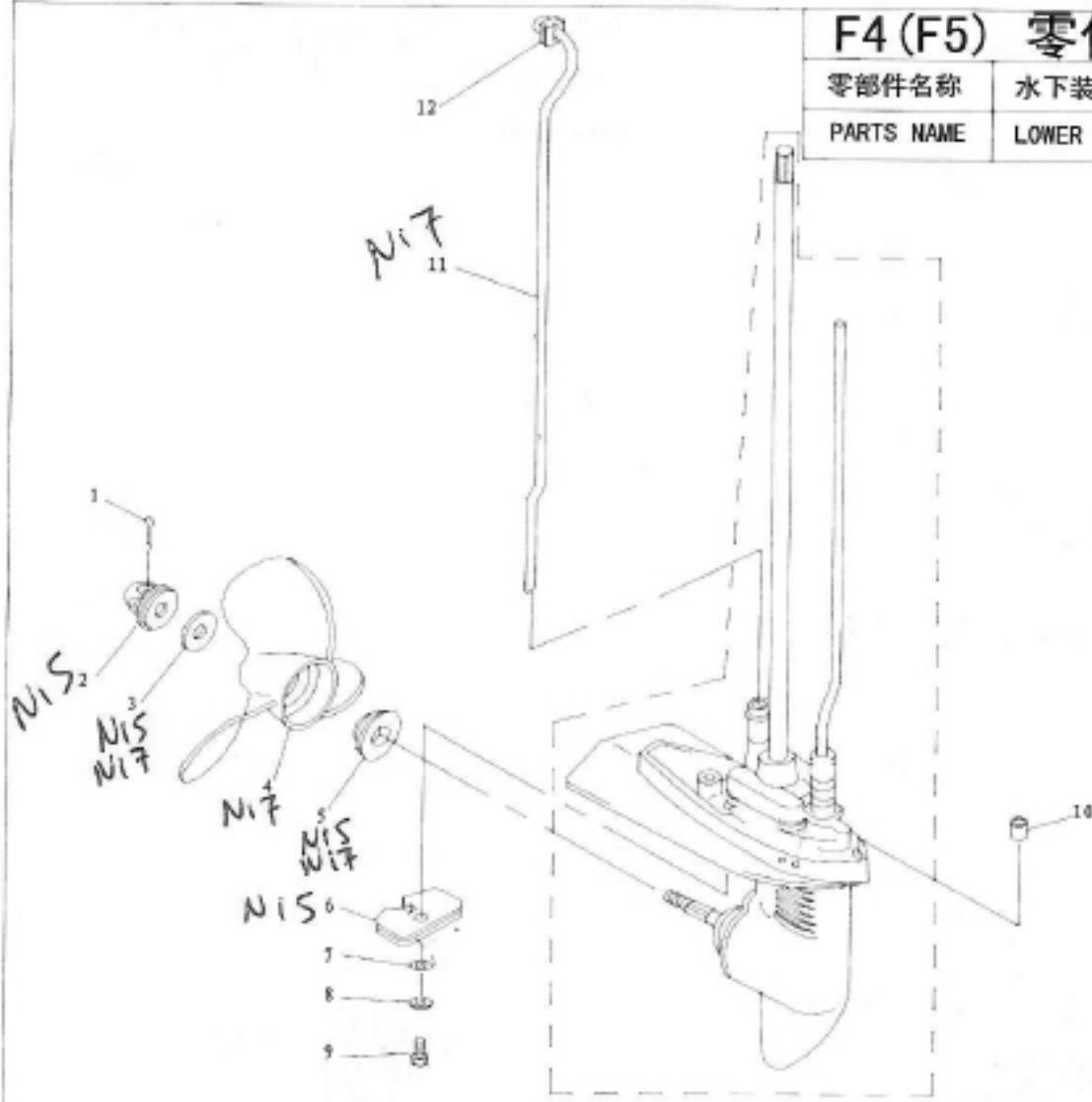


SN. 参照号	PART NO. 零件编号	DESCRIPTION 零件名称(中文)	DESCRIPTION 零件名称(英文)	QTY 数量		REMARKS 备注
1	F4-01090001	操舵手柄	HANDLE, STEERING	1	NIS, NIT	
2	F4-01000009	手柄衬套A	BUSGING, HANDTE A	1	NIS	
3	F4-01000012	手柄衬套波形垫圈	BUSH	1	NIS, NIT	
4	F4-01000010	衬套垫圈B	WASHER, BUSHING B	2	NIS, NIT	
5	F4-05000014	操舵手柄减震器	BUSHING, RABBER	1	NIS, NIT	
6	F4-01000011	衬套垫圈A	WASHER BUSHING A	1	NIS, NIT	
7	F4-01000008	操舵手柄衬套B	BUSHING	1	NIS	
8	F4-01000014	操舵手柄盖板	COVER, HANDLE STEERING	1		
9	GB/T5783-2000	六角头螺栓M8x25	BOLT	1		
10	F4-08000104	标贴4	MARK 4	1		
11	GB/T91-86	开口销 $\phi 1.6 \times 12$	PIN, COTTER	1		
12	F4-01090200	阻力调整旋钮组件	BOLT, FRICTION ADJUSTING	1	NIS	
13	F4-08000103	标贴3	MARK 3	1		
14	F4-01090006	衬套	BUSH	1		
15	F4-01090007	压缩弹簧	SPRING, COMPRESSION	1		
16	GB/T848-85	小垫圈10	WASHER, PLATE	1		
17	F4-01090303	油门标志牌	INDICATOR THROTTLE	1		
18	F4-01090301	操舵手柄塑胶套	GRIP, STEERING HARDLE	1		
19	F4-01090302	操舵手柄橡胶套	RUBBER, HANDLE	1		
20	GB/T820-85	十字槽半沉头螺钉M5x24	SCREW	1		

零部件名称	水下驱动组件
PARTS NAME	LOWER DRIVE ASSY



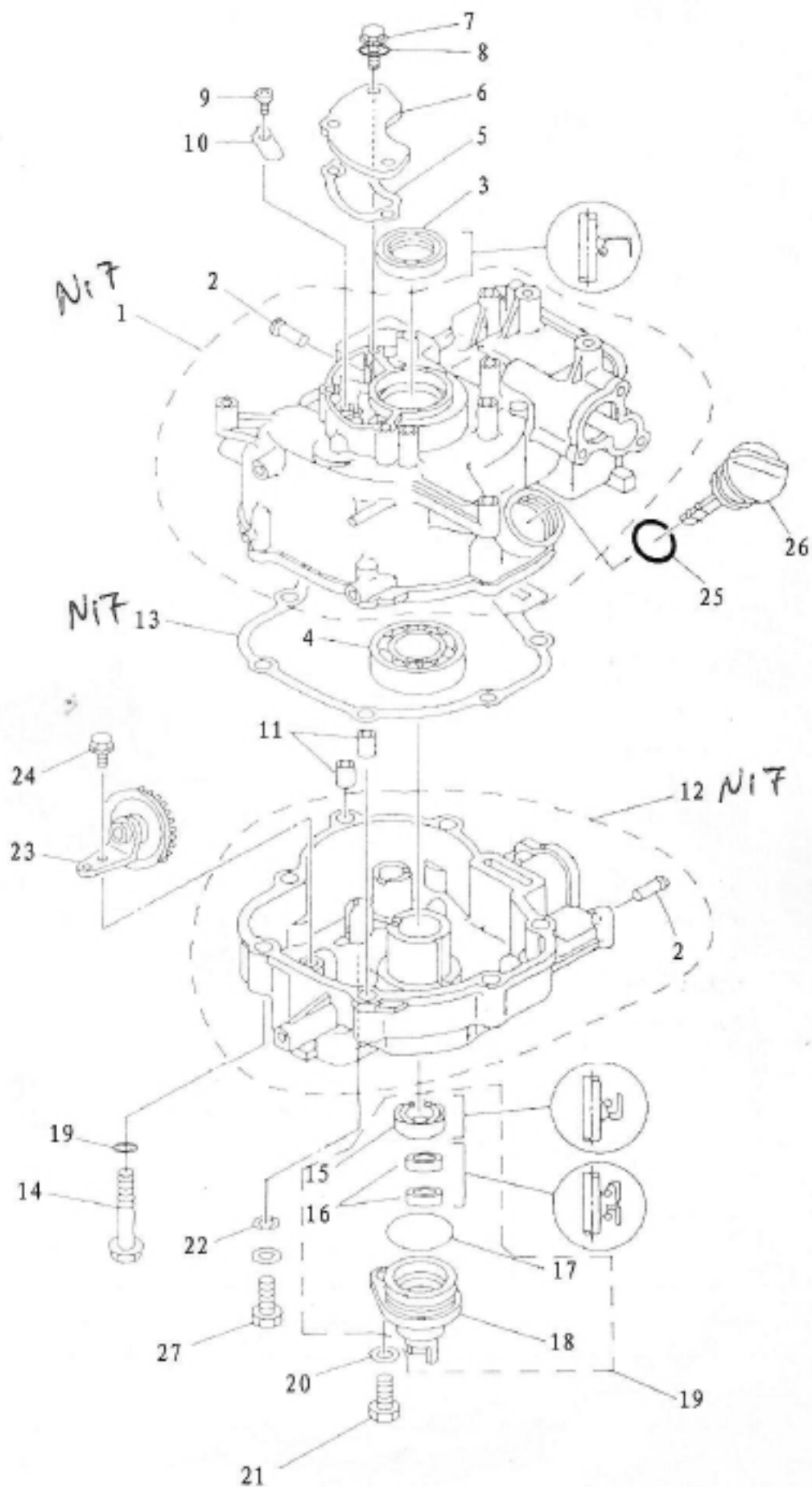
零部件名称	水下装置壳体 & 驱动系统
PARTS NAME	LOWER CASING & DRIVE



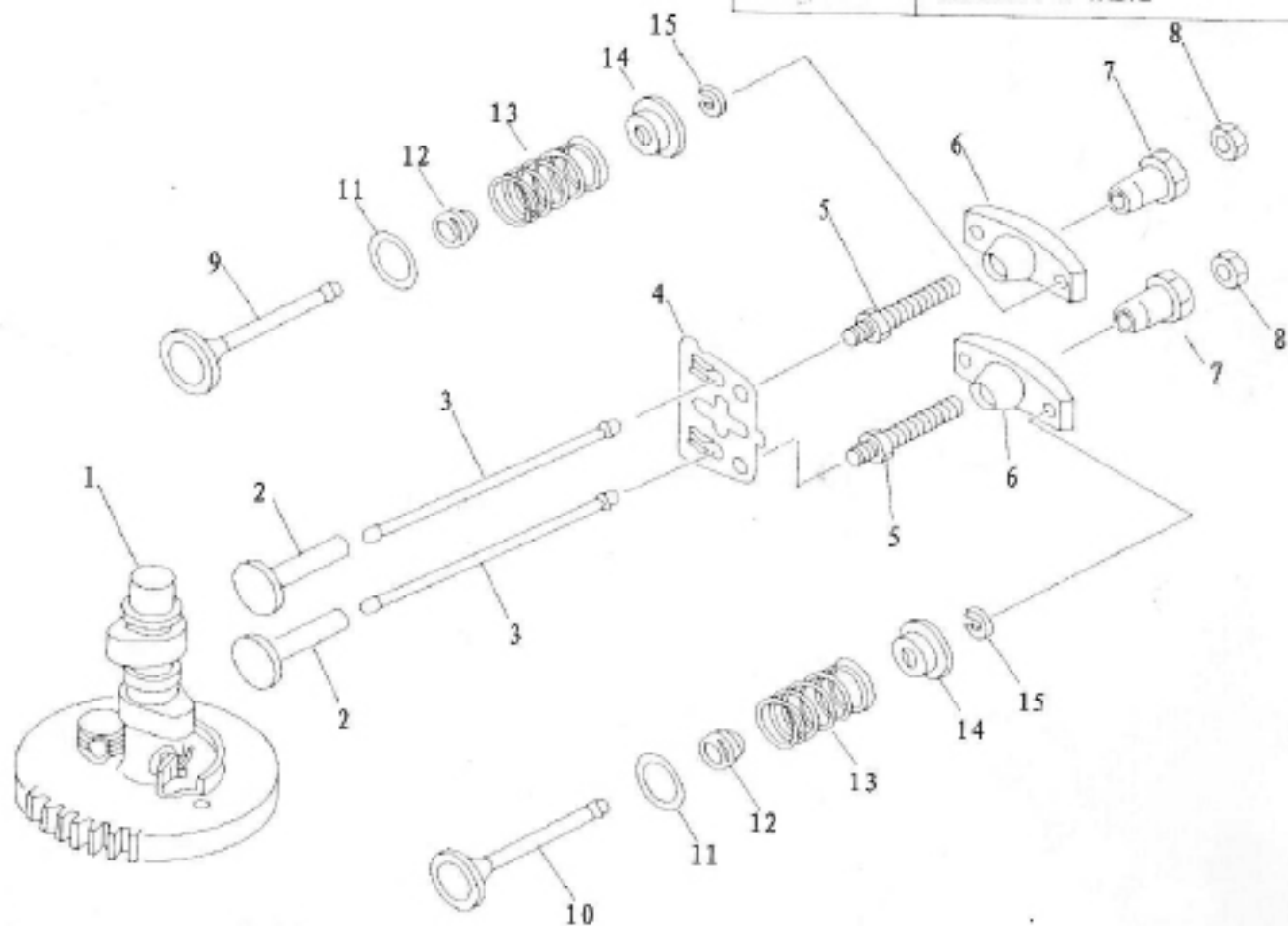
SN 参照号码	PART NO. 零件编号	DESCRIPTION 零件名称(中文)	DESCRIPTION 零件名称(英文)	QTY 数量		REMARKS 备注
1	GB/T91-86	开口销2.5 × 30	PIN ,COTTER	1		
2	F4-03080000	螺母组件	NUT ASSY	1	NiS	
3	F4-03000026	不锈钢垫片	WASHER	1	NiS, Ni7	
4	F4-03070000	螺旋桨组件	PROPELLER ASSY	1	Ni7	
5	F4-03000025	不锈钢垫块	SPACER	1	NiS, Ni7	
6	F4-03000022	阳极	ANODE	1	NiS	
7	GB/T97.1-85	平垫圈6	WASHER , PLATE	1		
8	GB/T861.1-87	内齿锁紧垫圈6	WASHER , INTERNAL TOOTH	1		
9	GB/T5783-2000	六角头螺栓M6 × 12	HEXAGON BOLT	1		
10	F4-00000001	空心定位销	HOLLOW PIN	2		
11	F4-02040000	进水管组件	WATER TUBU ASSY	1		L
	F4-02040000S	进水管组件	WATER TUBU ASSY	1	Ni7	S
12	F4-02040002	工形橡胶圈	I-SHAPED RUBBER BAND	1		

零部件名称 气缸&曲轴箱1

PARTS NAME CYLINDER & CRANKCASE 1

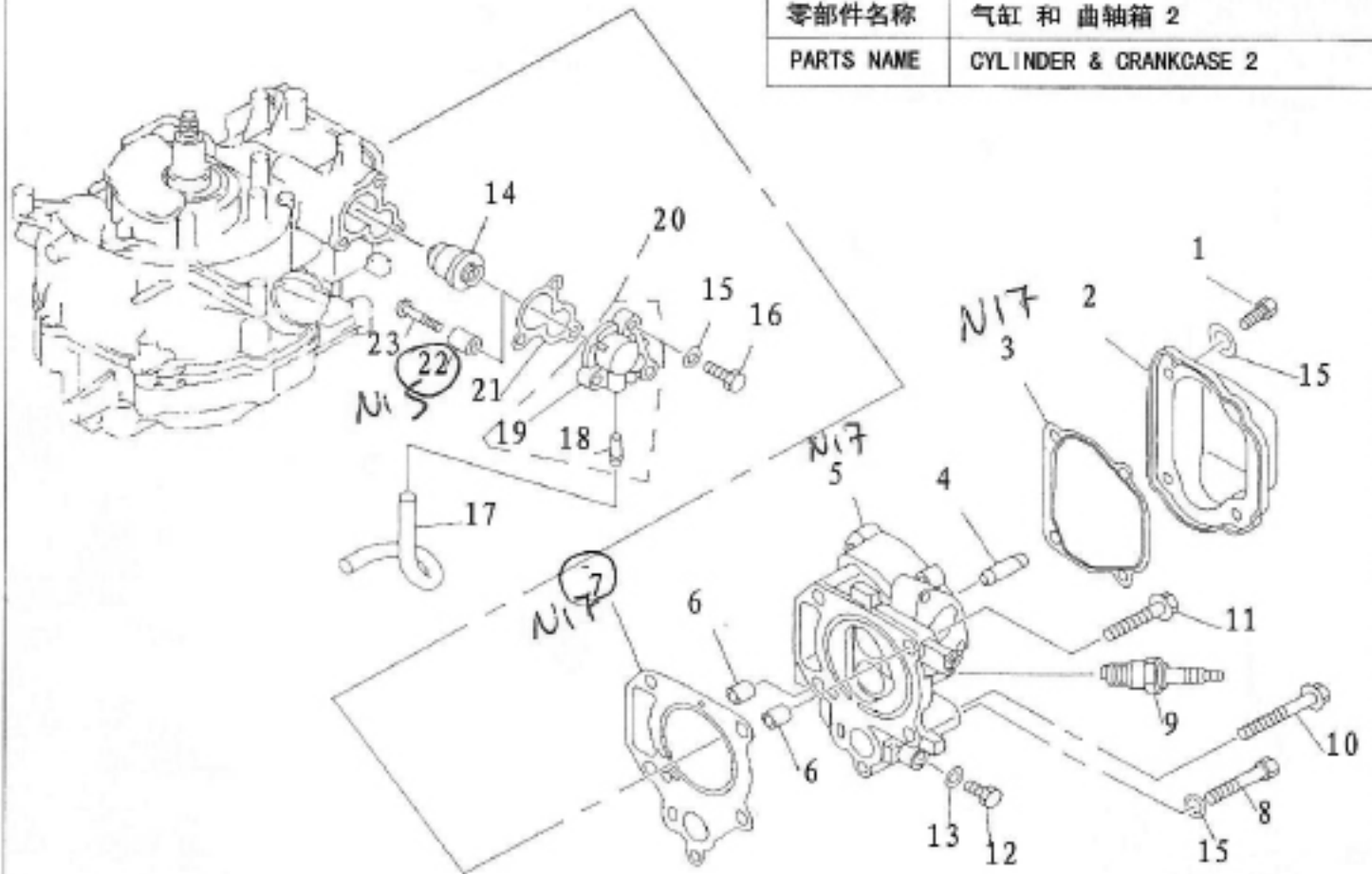


零部件名称	凸轮轴&阀门
PARTS NAME	CAMSHAFT & VALVE



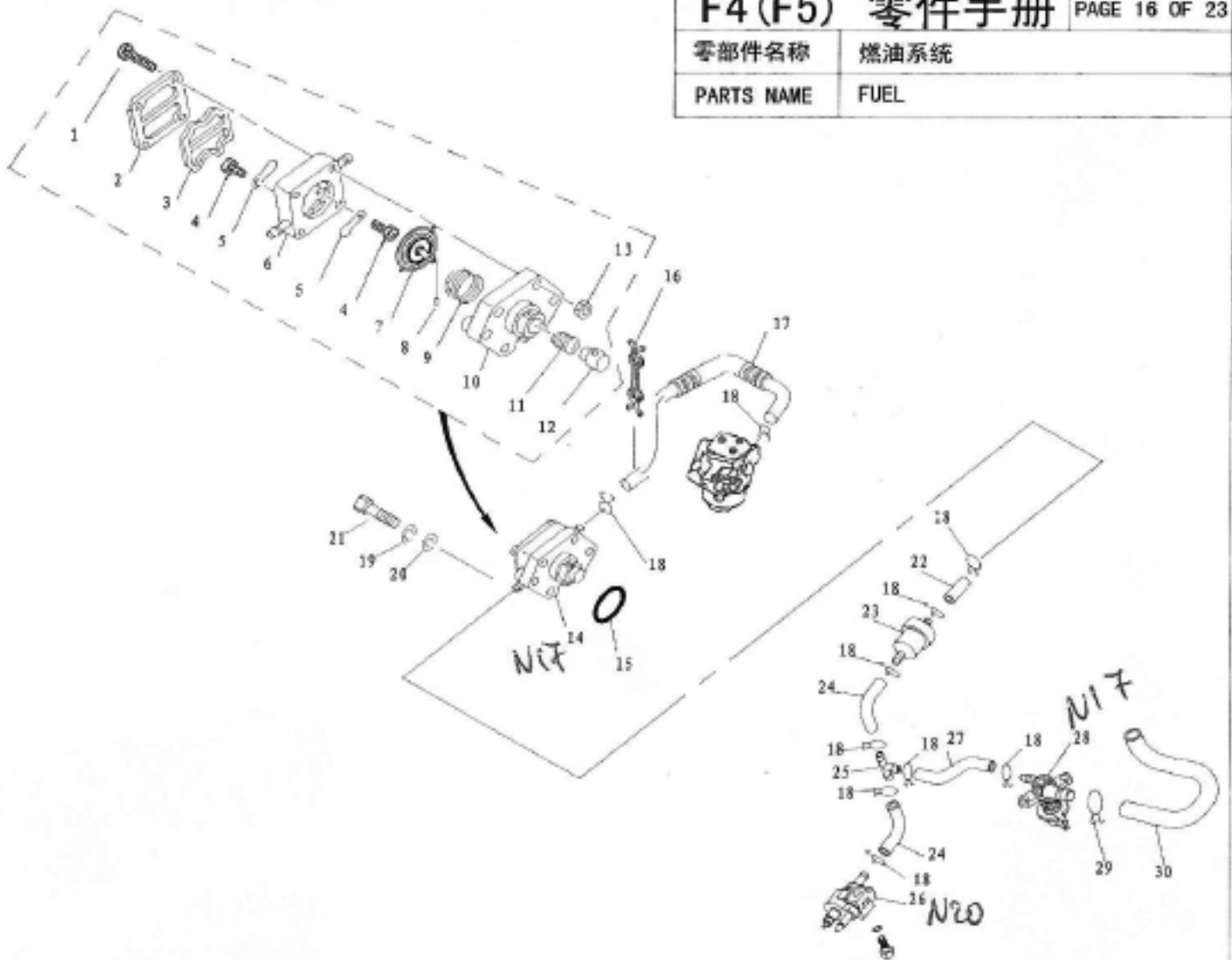
SN. 参照号码	PART NO. 零件编号	DESCRIPTION 零件名称(中文)	DESCRIPTION 零件名称(英文)	QTY 数量	REMARKS 备注
1	F4-04040000	凸轮减压组件	CAMSHAFT ASSY	1	
2	PS2700. 03. 02	气门挺柱	LIFTER, VALVE	2	
3	F4-04000015	气门推杆	ROD, VALVE PUSH	1	
4	F4-04080009	导向板	PLATE, PUSH ROD	1	
5	PS2700. 04. 12	摇臂螺杆	BOLT, ROCKER ARM	2	
6	PS2700. 04. 12	气门摇臂	ARM, VALVE ROCKER	2	
7	PS2700. 04. 13	摇臂球座	PIVOT, ROCKER ARM	2	
8	PS2700. 04. 18	六角螺母M6x0.75	BOLT	1	
9	F4-04080005	进气门	DOOR, INTAKE	1	
10	F4-04080006	排气门	DOOR, EXHAUST	1	
11	F4-04080007	气门弹簧垫圈	SEAT, VALVE SPRING	2	
12	PS2700. 04. 03	气门油封	SEAT, VALVE STEM	2	
13	F4-04080008	气门弹簧	SPRING, VALVE INNER	2	
14	F4-04080010	气门弹簧座	SPRING, VALVE RETAINER	2	
15	F4-04080011	气门锁片	CLAMP, VALVE	2	

零部件名称 气缸和曲轴箱 2
PARTS NAME CYLINDER & CRANKCASE 2



SN. 参照号码	PART NO. 零件编号	DESCRIPTION 零件名称(中文)	DESCRIPTION 零件名称(英文)	QTY 数量		REMARKS 备注
1	GB/T5783-86	六角头螺栓M6 × 16	BOLT , HEXAGON	4		
2	F4-04000018	缸头罩	COVER , CYLINDER HEAD	1		
3	F4-04000017	缸头罩密封垫	GASKET , CYLINDER COVER	1	Ni7	
4	F4-04080002	气门导管	PIPE , VALVE	2		
5	F4-04080101	气缸头	CYLINDER , HEAD	1	Ni7	
6	F4-04000003	空心定位销	PIN , HOLLOW	2		
7	F4-04000014	缸头复合垫	GASKET , CYLINDER HEAD	1	Ni7	
8	GB/T5782-1986	六角螺栓M6 × 45	BOLT , HEXAGON	1		
9	BR6HS	火花塞	PLUG , SPARK	1		
10	F4-04000033	气缸头螺栓A	BOLT , CYLINDER HEAD 'A'	3		
11	F4-04000034	气缸头螺栓B	BOLT	1		
12	GB/T5783-2000	六角头螺栓M8 × 14	BOLT , HEXAGON	1		
13	GB/T97.1-85	平垫圈8	WASHER , PLATE	1		
14	F4-04000036	节温器	THERMOSTAT	1		
15	GB/T97.1-85	平垫圈6	WASHER , PLATE	8		
16	GB/T5783-2000	六角头螺栓M6 × 20	BOLT , HEXAGON	3		
17	F4-04000012	回水管	PIPE , RETURN	1		
18	F4-04010002	水咀	SPILE WATER	1		
19	F4-04070001	节温器盖	COVER , THERMOSTAT	1		
20	F4-04070100	节温器盖水咀组件	COVER AND SPILE WATER ASSY	1		
21	F4-04000011	节温器盖密封垫	GASKET , THERMOSTAT	1		
22	F4-04070003	节温器盖阳极	ANODE	1	NIS	
23	GB/T818-85	十字槽盘头螺钉M5 × 25	SCREW , PAN HEAD	1		

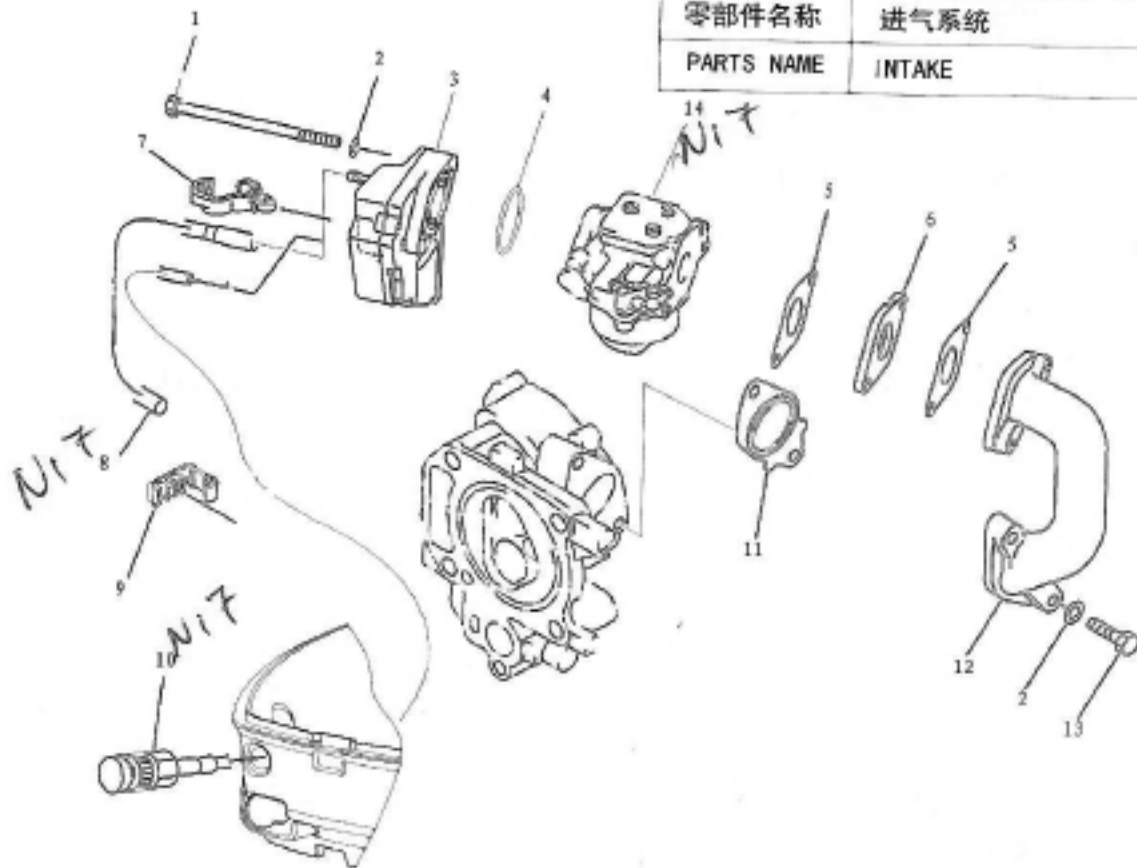
零部件名称	燃油系统
PARTS NAME	FUEL



SN 参照号码	PART NO. 零件编号	DESCRIPTION 零件名称(中文)	DESCRIPTION 零件名称(英文)	QTY 数量				REMARKS 备注
1	GB/T823-88	十字槽小盘头螺钉M4 × 25	SCREW, SMALL PAN HEAD	4				
2	F4-04090003	燃油泵盖	COVER, FUEL PUMP	1				
3	F4-04090004	上隔膜	DIAPHRAGM, TOP	1				
4	F4-04090011	阀门螺钉M3 × 5	SCRRW, VALVE	2				
5	F4-04090005	单向阀片	PLATE	2				
6	F4-04090002	燃油泵壳	FUEL PUMP SHELL	1				
7	F4-04090100	隔膜组件	DIAPHRAGM ASSY	1				
8	GB/T309-2000	滚针 φ 3x12	ROLLER NEEDLE	1				
9	F4-04090008	隔膜弹簧	SPRING, DIAPHRAGM	1				
10	F4-04090001	燃油泵座	SEAT, FUEL PUMP	1				
11	F4-04090007	柱塞弹簧	SPRING, PLUNGER	1				
12	F4-04090006	柱塞	PLUNGER	1				
13	GB/T6170-2000	螺母M4	NUT	4				
14	F4-04090000	燃油泵组件	FUEL PUMP ASSY	1		Ni7		
15	F4-04090009	燃油泵座O形圈	O-RING	1				
16	F4-04000031-2	尼龙管夹(B)	CLIP, NYLON "B"	1				
17	F4-04000028	燃油管E	PIPE, FUEL "E"	1				φ 10x φ 5x260
18	F4-04000030	油管夹簧B	SPRING, FUEL PIPE "B"	9				
19	GB/T93-1987	弹簧垫圈6	WASHER, SPRING	2				
20	GB/T97.1-85	平垫圈6	WASHER, PLATE	2				

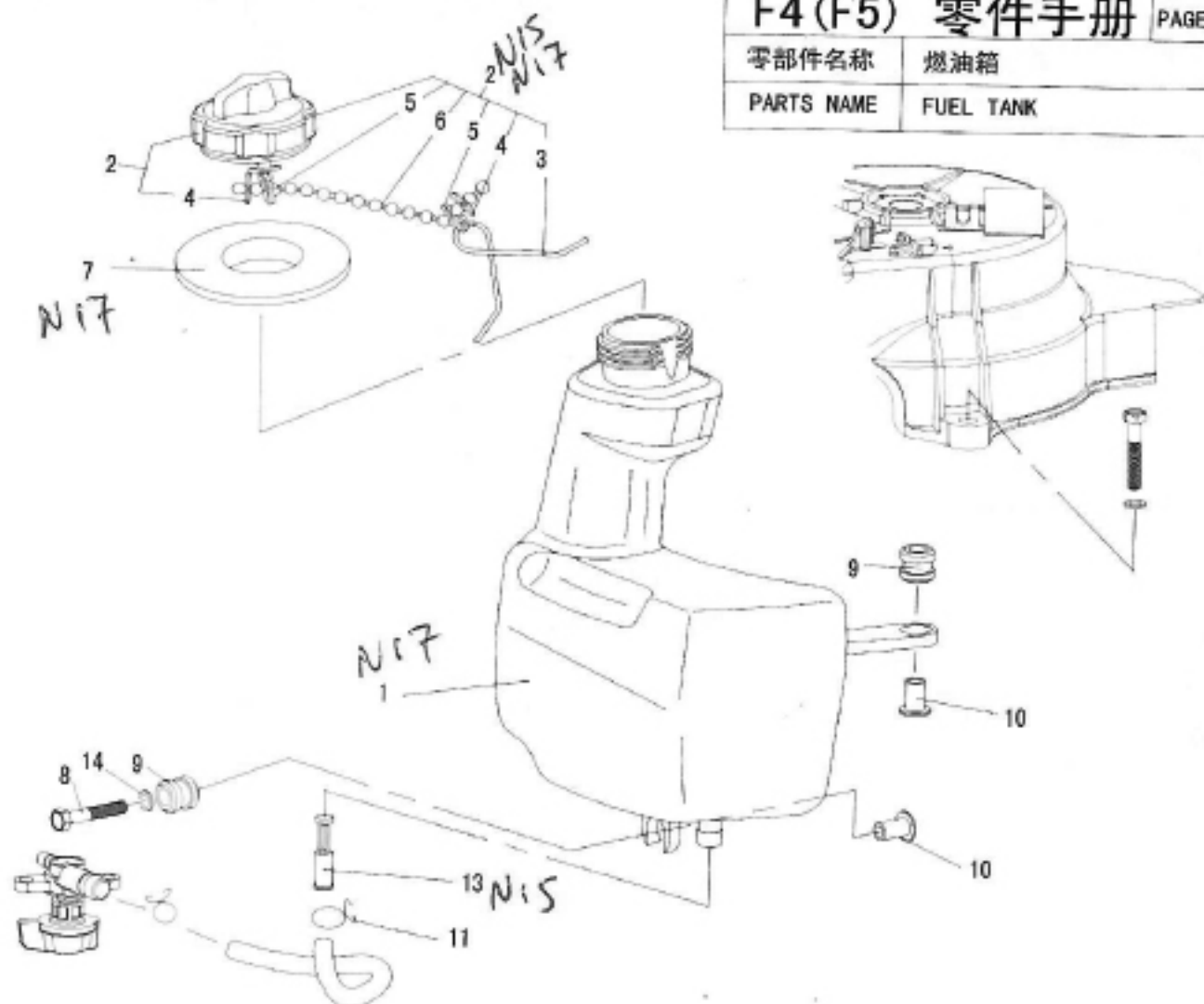
零部件名称 进气系统

PARTS NAME INTAKE



SN. 参照号码	PART NO. 零件编号	DESCRIPTION 零件名称(中文)	DESCRIPTION 零件名称(英文)	QTY 数量		REMARKS 备注
1	GB/T5284-86	六角头螺栓M6x90	HEXAGON BOLT	2		
2	GB/T97.1-85	平垫圈6	WASHER, PLATE	4		
3	F4-04110000	进气消音器组件	SILENCER ASSY, INTAKE	1		
4	JASO F404-96	O形密封圈2-24-031	O-RING	1		
5	F4-04000024	化油器密封垫	GASKET, CARBURETOR AIRPROOF	2		
6	F4-04000025	化油器垫块	GASKET, CARBURETOR	1		
7	F4-04110006	齿形尼龙卡箍	CLAMP, NYLON DENTIFORM	1		
8	F4-04000035	回气管	PIPE, RETURN GAS	1	NIT	
9	F4-04000031-1	尼龙管卡(A)	CLAMP, NYLON "A"	1		
10	F4-05000400	阻风门拉柄组件	CHOKE HANDLE ASSY	1	NIT	
11	F4-04000022	进气弯管密封垫	GASKET, INNER PIPE	1		
12	F4-04000023	进气歧管	MANIFOLD, INTAKE	1		
13	GB/T5284-86	六角头螺栓M6x25	HEXAGON BOLT	2		
14	F4-04140000	化油器	CARBURETOR	1	NIT	

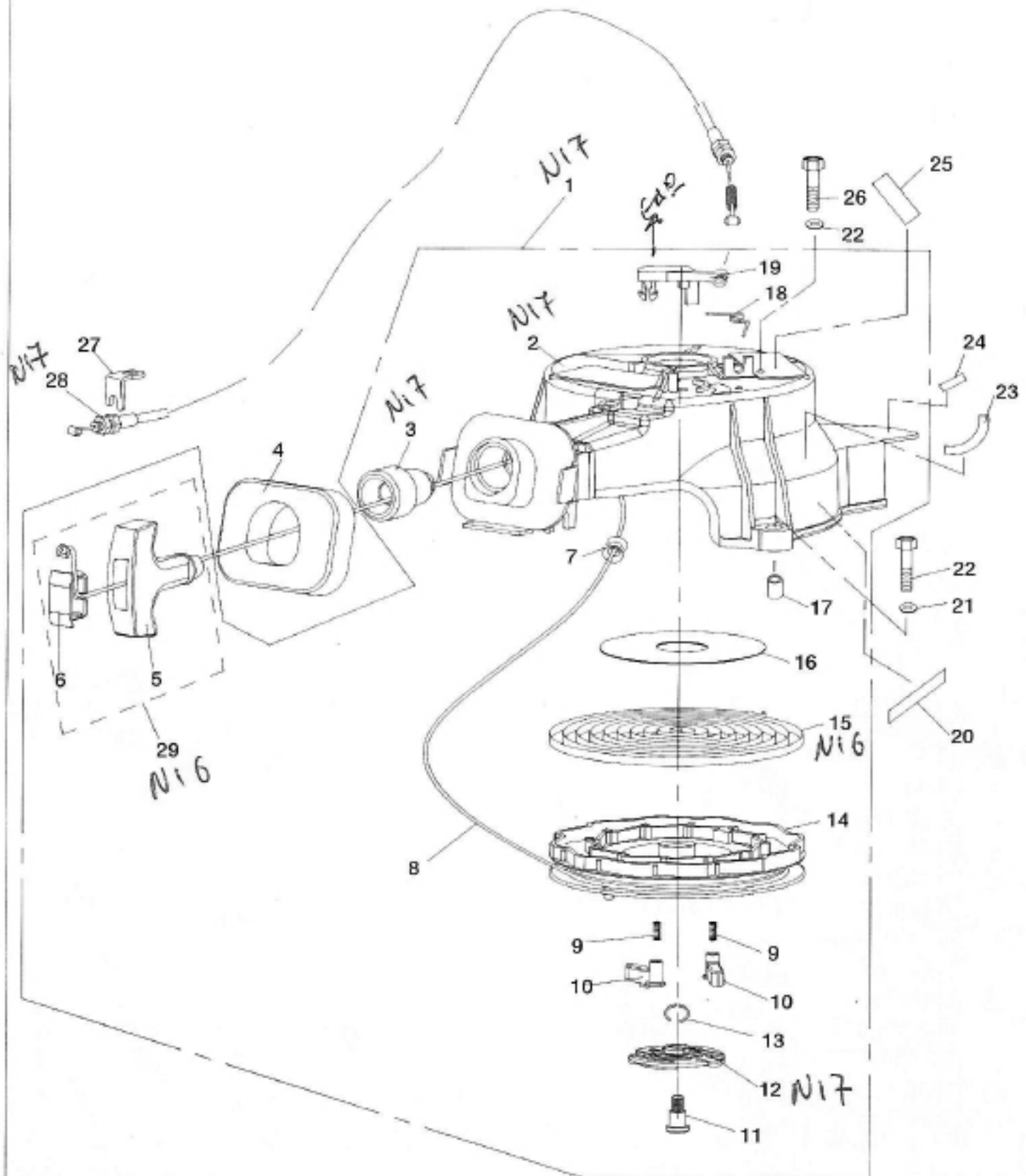
零部件名称 燃油箱
PARTS NAME FUEL TANK



SN. 参照号码	PART NO. 零件编号	DESCRIPTION 零件名称(中文)	DESCRIPTION 零件名称(英文)	QTY 数量		REMARKS 备注
1	F4-04120001	油箱	TANK	1		
2	F4-04120100	油箱盖组件	TANK COVER ASSY	1	N17	
3	F4-04120103	防脱落扭簧	SPRING, PREVENT DESQUAMATING	1	N15, N17	
4	F4-04120105	防脱落卡片	SHEET METAL, PREVENT DESQUAMATING	2		
5	F4-04120106	钢丝锁圈	EYELET, STEEL WIRE	2		
6	F4-04120104	防脱链	CHAIN, PREVENT DESQUAMATING	1		
7	F4-04120111	油箱盖橡胶密封垫	GASKET, TANK COVER	1	N17	
8	GB/T5783-2000	六角头螺栓M6×25	HEXAGON BOLT	1		
9	F4-04120002	油箱减震器	DAMPER, TANK	3		
10	F4-04120003	减震器衬套	BUSH, DAMPER	3		
11	F4-04000030	油管夹簧B	CLIP, OIL PIPE "B"	2		
12	F4-05000005	燃油管A	PIPE, FUEL "A"	1		
13	F4-04120005	油箱滤油芯	STRAINER, TANK	1	N15	
14	GB/T97.1-85	平垫圈6	WASHER, PLATE	1		

零部件名称 起动机组件

PARTS NAME STARTER

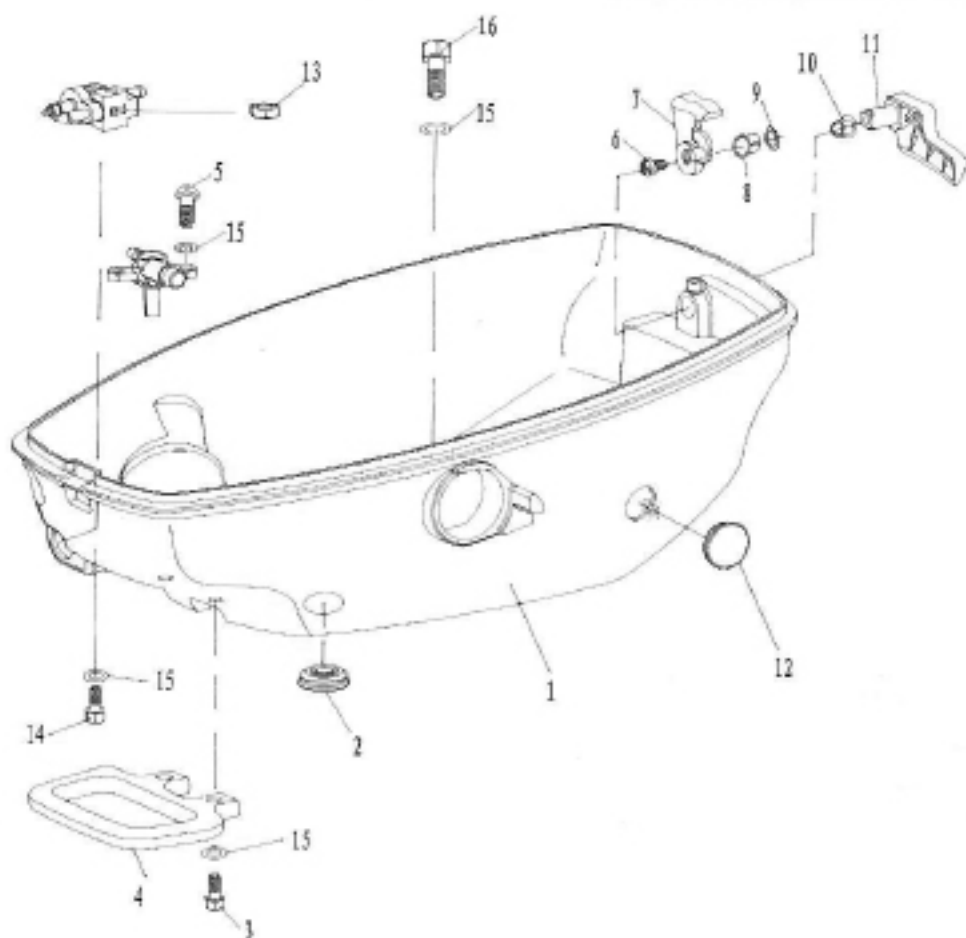


零部件名称

底罩

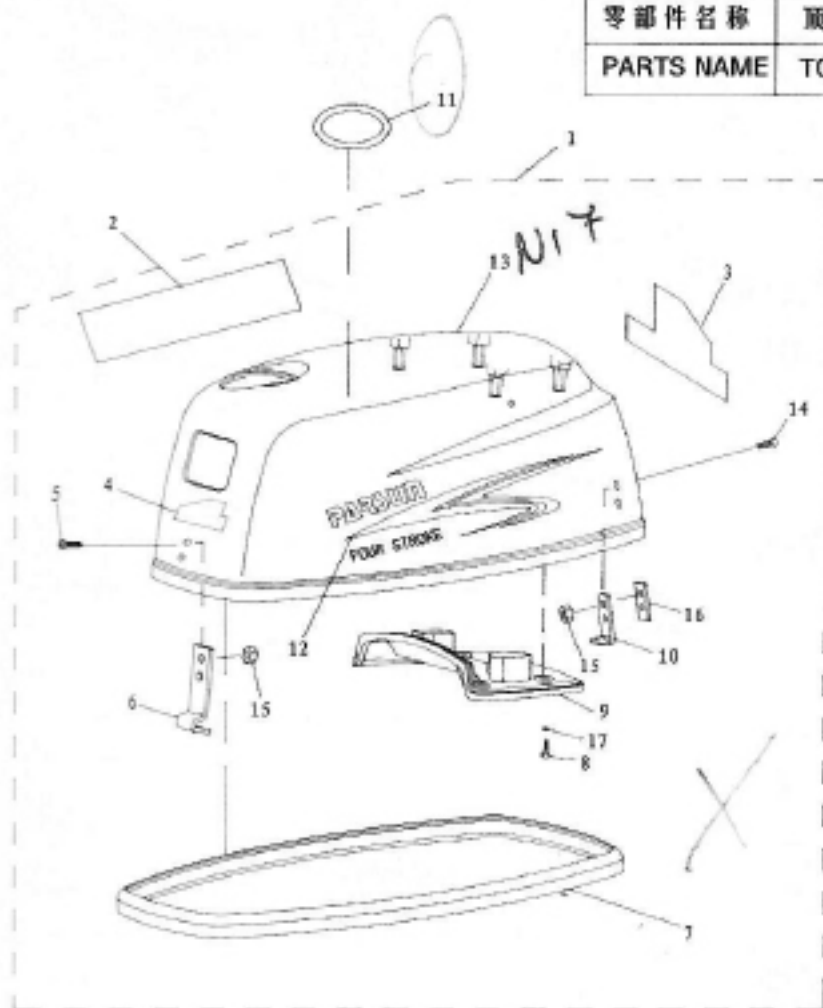
PARTS NAME

BOTTOM COWLING



SN. 参照号码	PART NO. 零件编号	DESCRIPTION 零件名称(中文)	DESCRIPTION 零件名称(英文)	QTY 数量		REMARKS 备注
1	F4-05000001	底罩	COWLING, BOTTOM	1		
2	F4-05000013-1	橡胶闷盖A	COVER, RUBBER	1		
3	GB/T818-2000	十字槽盘头螺钉M6x14	CROSS, PAN HEAD BOLT	2		
4	F4-05000016	手把	HANDLE	1		
5	GB/T818-2000	十字槽盘头螺钉M6x12	CROSS, PAN HEAD BOLT	2		
6	GB/T5783-86	六角头螺栓M6x12	BOLT	1		
7	F15-05030000	顶罩锁紧块组件	LEVER, CLAMP	1		
8	F15-05000022	顶罩锁紧手柄尼龙套A	BUSH A	1		
9	F15-05000023	波形垫圈	WASHER, WAVE	1		
10	F15-05000036	顶罩锁紧手柄尼龙套B	BUSH B	1		
11	F4-05000012	顶罩锁紧手柄	LEVER, CLAMP	1		
12	F4-05000013-2	橡胶闷盖B	COVER, RUBBER	1		
13	GB/T6170-86	六角螺母M6	NUT, HEXAGON	1		
14	GB/T5783-2000	六角头螺栓M6x25	BOLT, HEXAGON	1		
15	GB/T97.1-85	平垫圈6	WASHER	12		
16	GB/T5783-2000	六角头螺栓M6x14	BOLT, HEXAGON	7		

零部件名称	顶罩
PARTS NAME	TOP COWLING



SN. 参照号码	PART NO. 零件编号	DESCRIPTION 零件名称(中文)	DESCRIPTION 零件名称(英文)	QTY 数量		REMARKS 备注
1	F4-06000000	顶罩组件	TOP COWLING ASSY	1		
2	F4-08000113	标贴13	MARK 13	1		
3	F4-08000114	标贴14	MARK 14	1		F4
	F4-08000116	标贴16	MARK 16	1		F5.5
4	F4-08000115	标贴15	MARK 15	1		F4
	F4-08000117	标贴17	MARK 17	1		F5.5
5	GB/T8.8 2000	十字槽盘头螺钉M5x12	SCREW, PAN HEAD	2		
6	F4-06000005	锁紧钩	HOOK, LOCK	1		
7	F4-06000002	密封橡胶条	BAR RUBBER, AIRPROOF	1		
8	GB/T845-85	十字槽盘头自攻螺钉ST5.5x19	SCREW, TAPPING	4		
9	F4-06000003	顶罩消音盖	COVER, TOPCOWING MUFFLING	1		
10	F15-08000004	挂钩	POTHOOK	1		
11	F4-08000107	标贴7	MARK 7	1		
12	F4-08000112	标贴12	MARK 12	1		
13	F4-06000001	顶罩	TOP COWLING	1	N17	
14	GB/T818-2000	十字槽盘头螺钉M5x20	SCREW, PAN HEAD	2		
15	GB/T6172.1-2000	六角薄螺母M5	THIN NUT, HEXAGON	2		
16	F4-06000006	挂钩垫	UNDERLAY, POTHOOK	1		
17	F4-06000004	橡胶垫片	UNDERLAY, RUBBER	4		